

pon media

burkhardt leitner
modular spaces



Planungsunterlagen
Planning documents

burkhardt leitner modular spaces GmbH

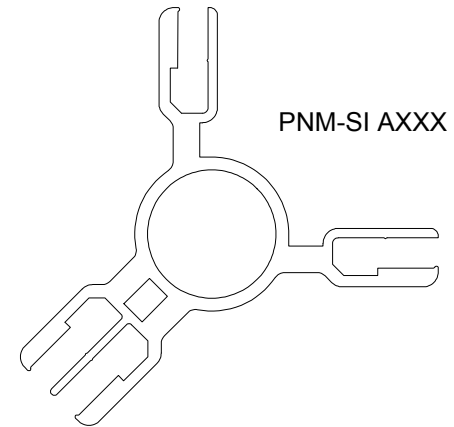
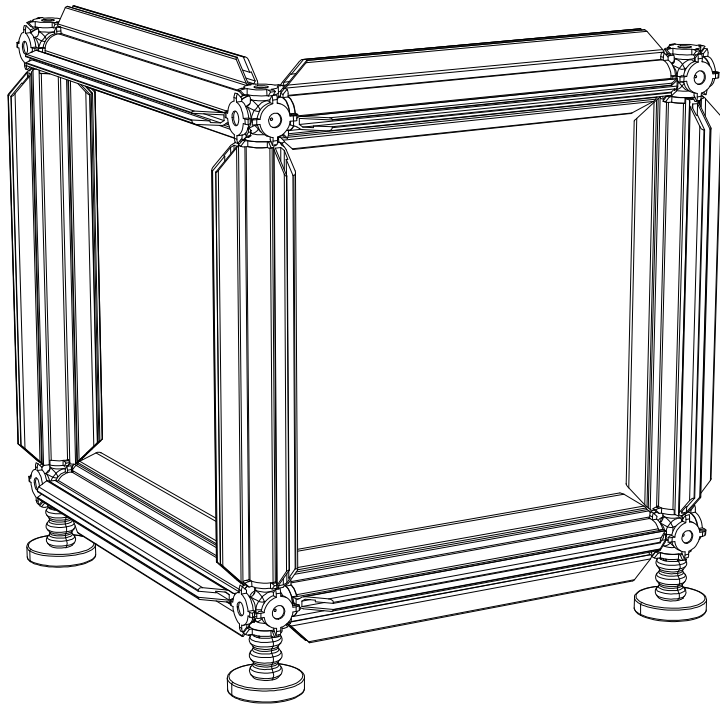
Olgastrasse 138
70180 Stuttgart / Germany
P +49 711 2 55 88 0 F +49 711 2 55 88 11

© burkhardt leitner modular spaces | 25.02.2017

info@burkhardtleitner.com www.burkhardtleitner.com

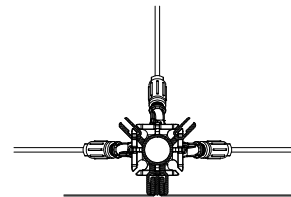
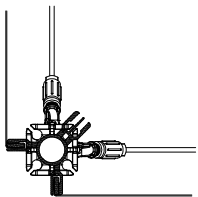
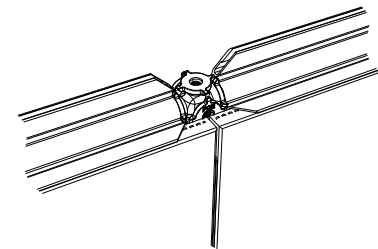
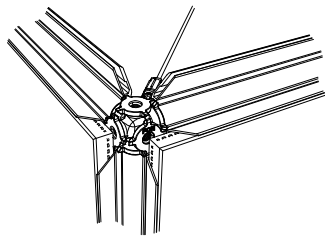
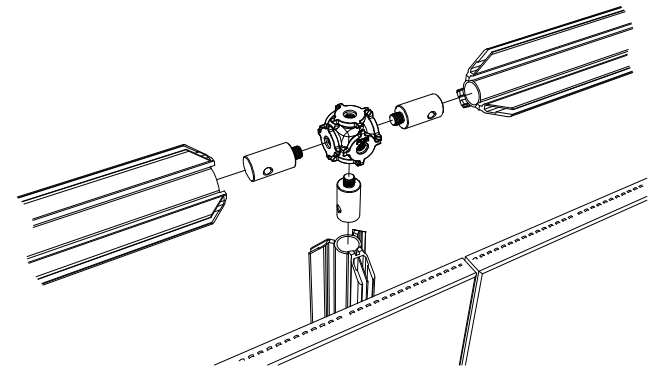
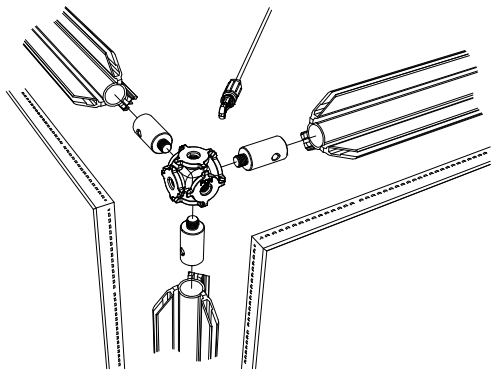
Pon media profile

pon media



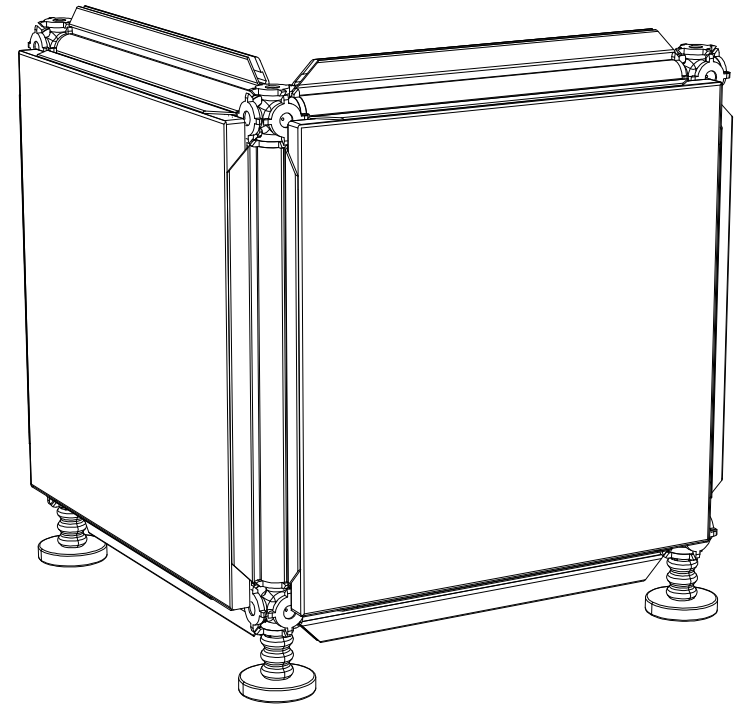
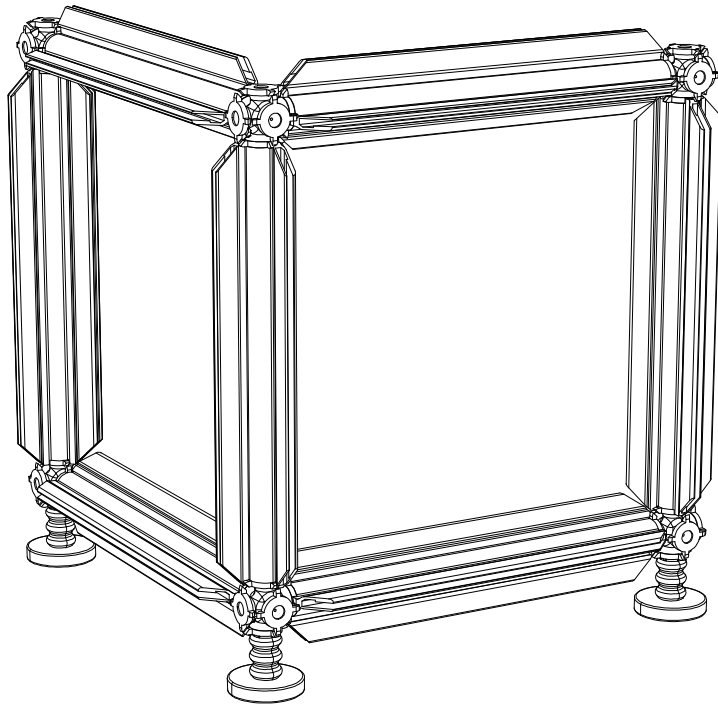
Montage und Demontage der Pon media Profile Assembly and disassembly of Pon media profiles

pon media



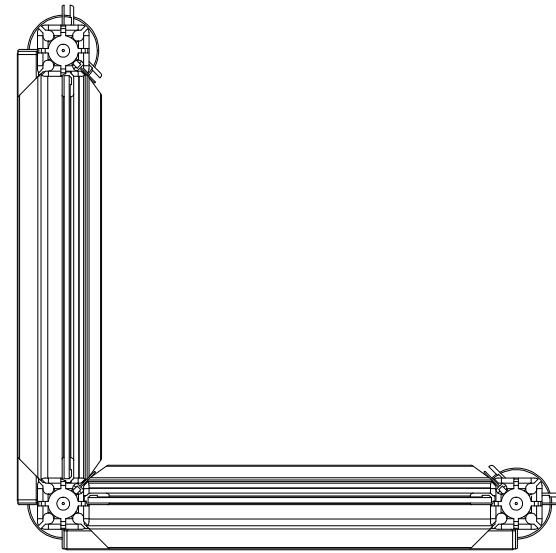
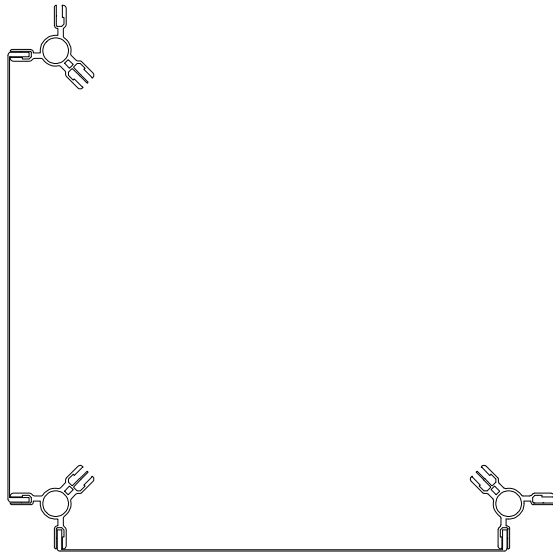
Pon media Aussenecke
Pon media outer corner

pon media



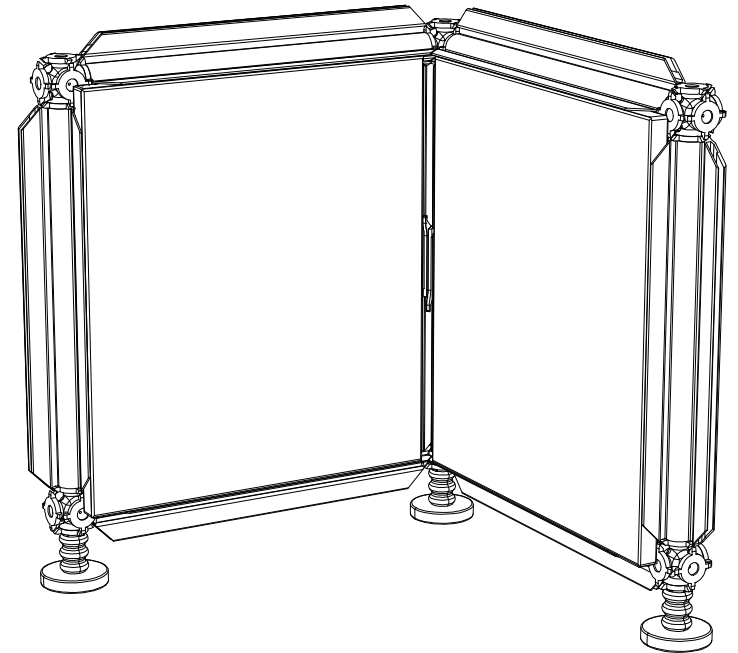
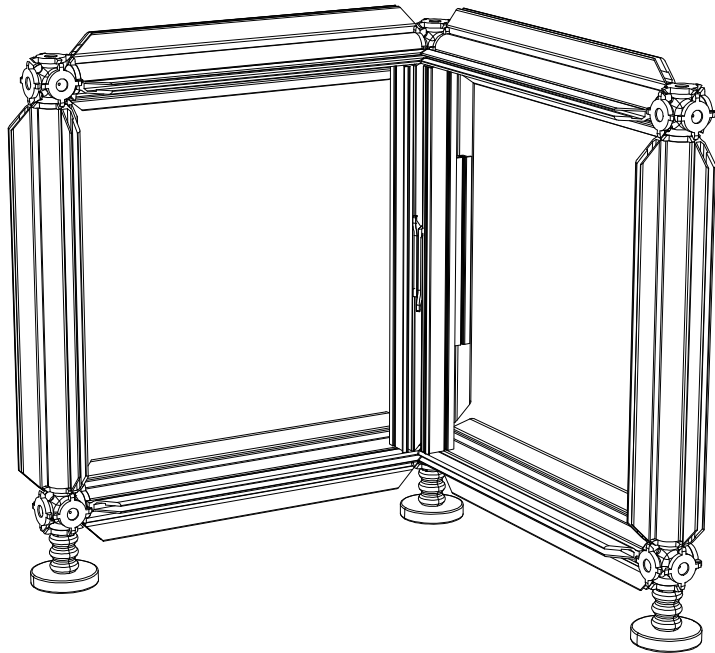
Pon media Aussenecke
Pon media outer corner

pon media



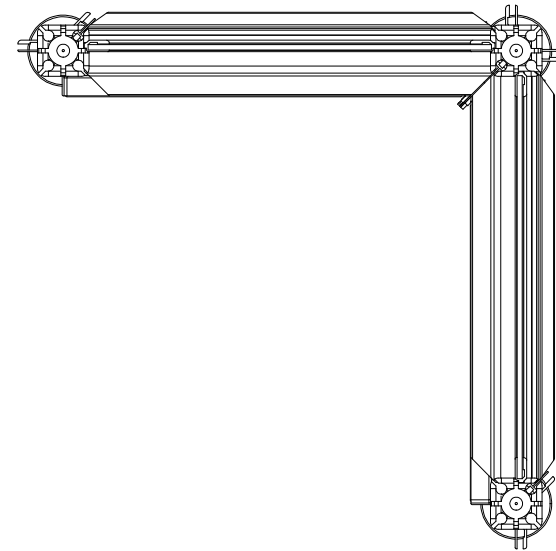
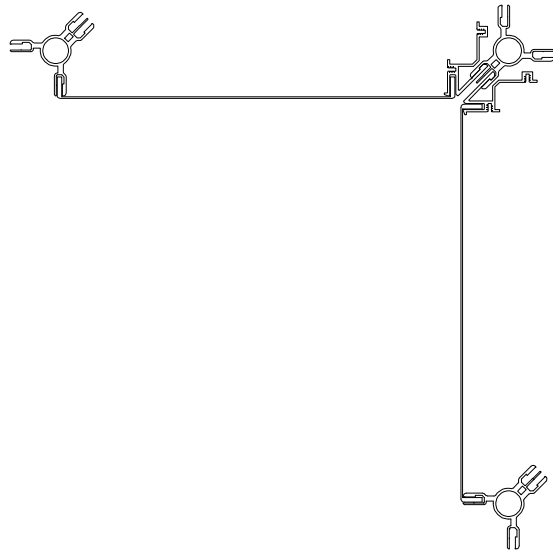
Pon media Innenecke
Pon media inner corner

pon media



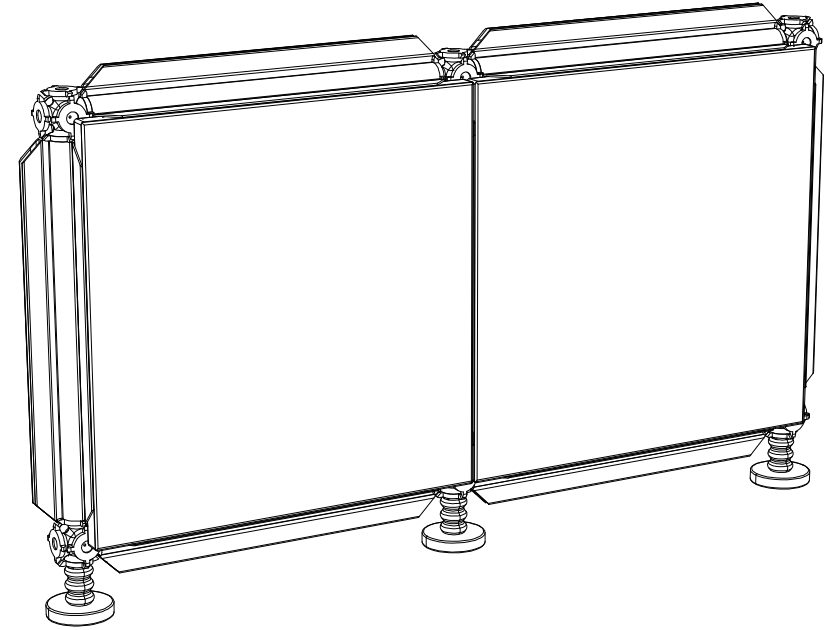
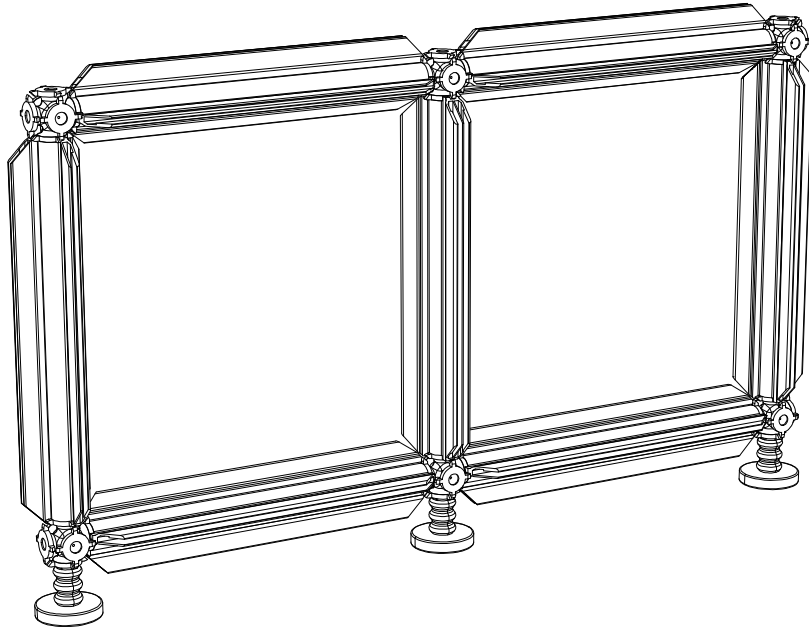
Pon media Innenecke
Pon media inner corner

pon media



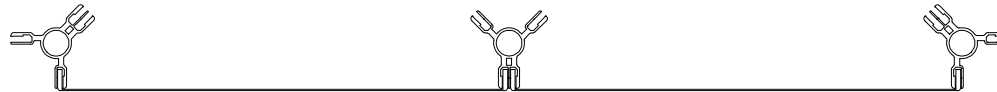
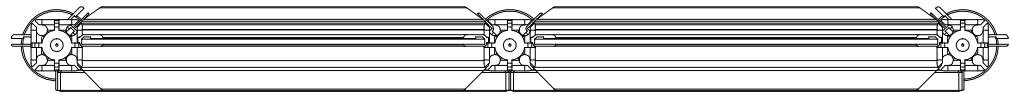
Pon media lineare Anwendung
Pon media linear application

pon media



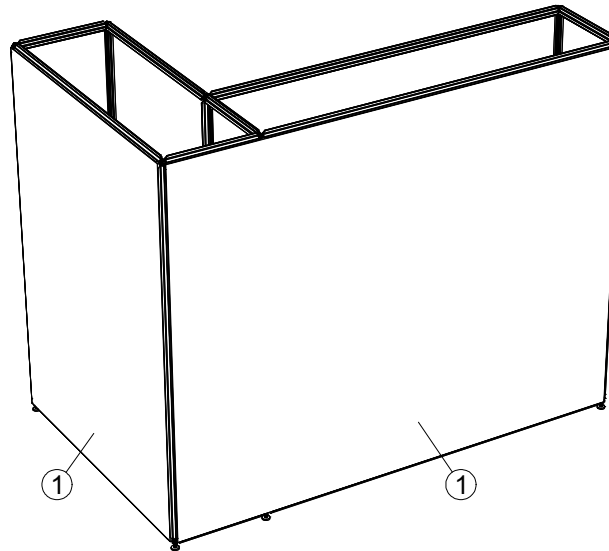
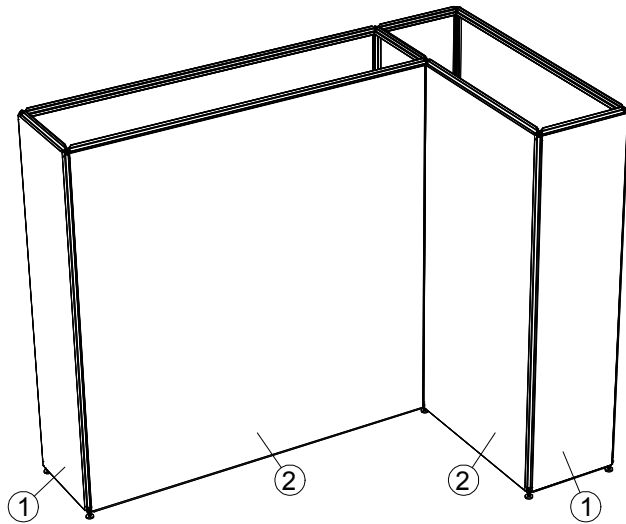
Pon media lineare Anwendung
Pon media linear application

pon media



Anwendungsbeispiel Überblick Example overview

pon media



Variante 1
Breite: Achse - Achse
Höhe: Achse - Achse

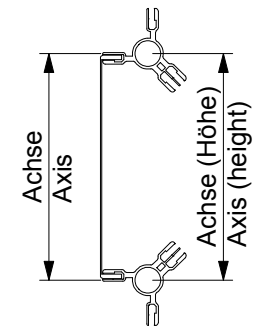
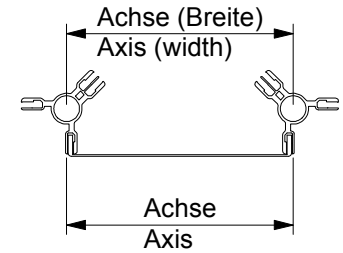
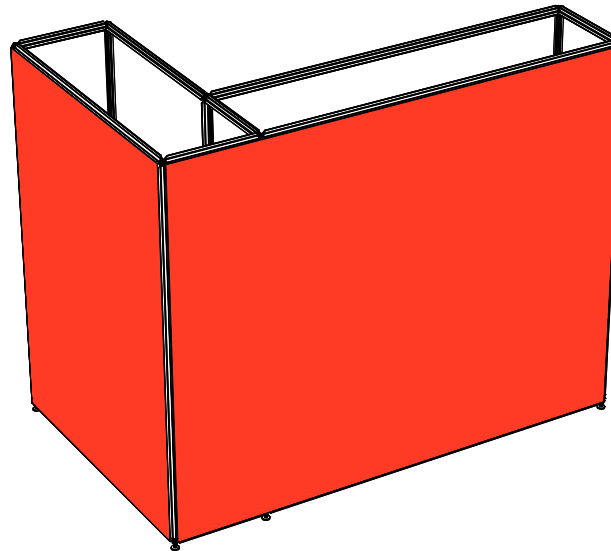
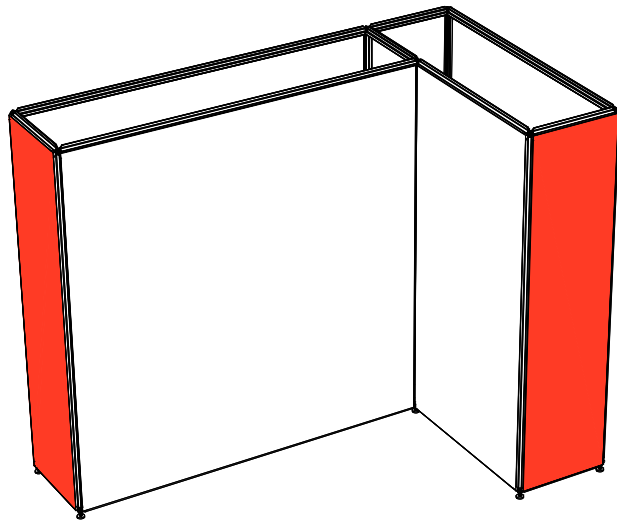
Option 1
Width: axis - axis
Height: axis - axis

Variante 2
Breite: Innen - Achse
Höhe: Achse - Achse

Option 2
Width: inner - axis
Height: axis - axis

Rahmenvariante 1 Frame option 1

pon media

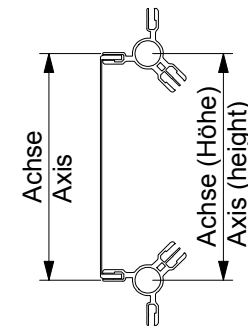
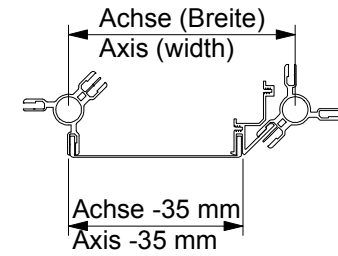
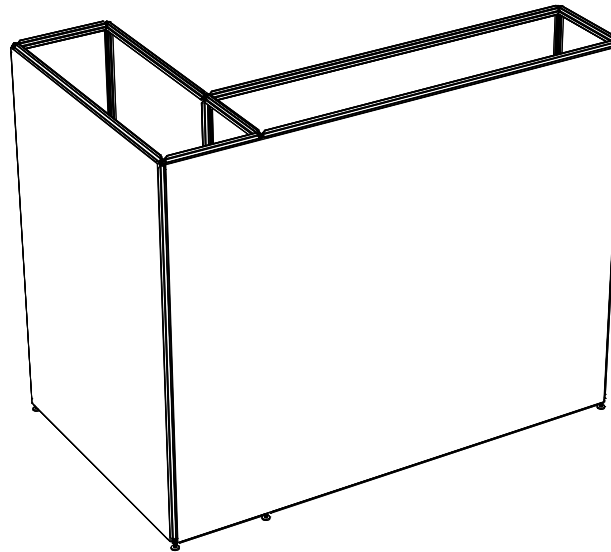
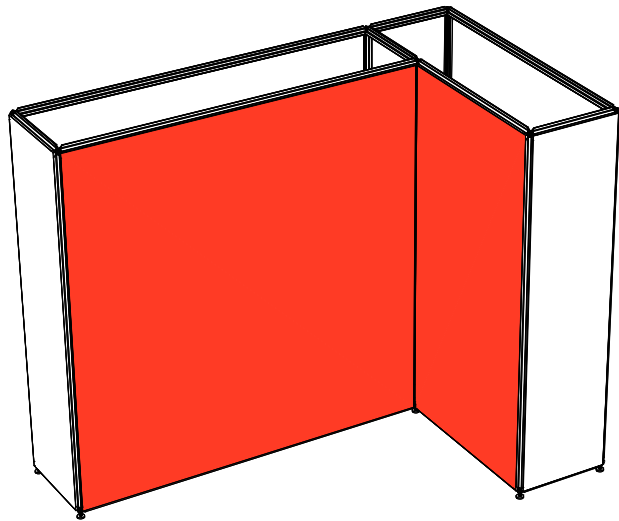


Variante 1
Breite: Achse - Achse
Höhe: Achse - Achse

Option 1
Width: axis - axis
Height: axis - axis

Rahmenvariante 2 Frame option 2

pon media



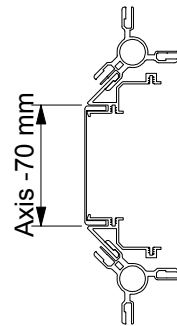
Variante 2
Breite: Innen - Achse
Höhe: Achse - Achse

Option 2
Width: inner - axis
Height: axis - axis

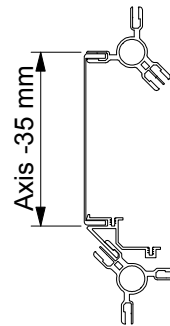
Stoffrahmenmaße Pon media Fabric frame dimensions Pon Media profiles

pon media

inner - inner
Axis - 70mm



axis - inner
Axis - 35 mm



axis - axis
Axis

